



CHUCK

Scroll Chuck with Two Piece Jaw JN..RA series

Two piece jaw

- Short taper

Direct mount to short taper without the need for separate adaptor.

- Soft jaw (option)

Supplied with standard hard jaws (fitted). Soft jaw can also be used. (Option, used together with JN-T type)



Dimensional Drawings

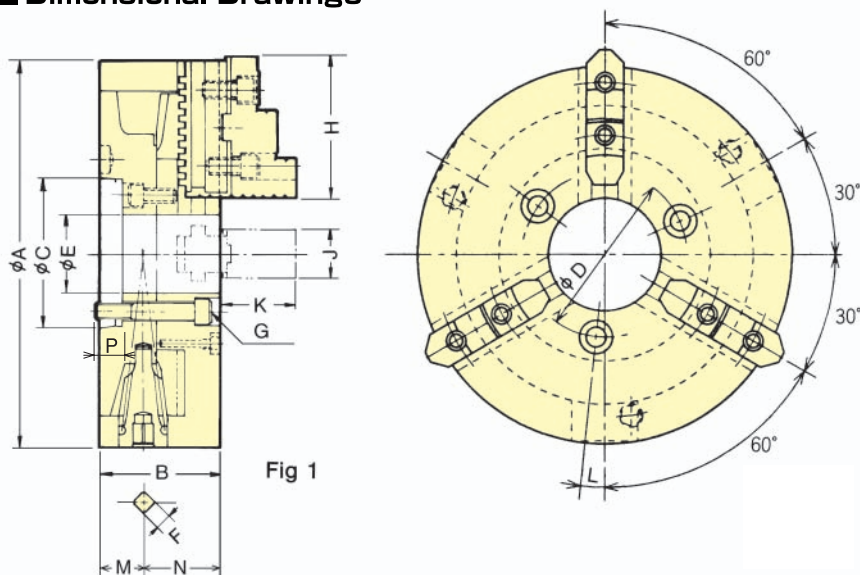
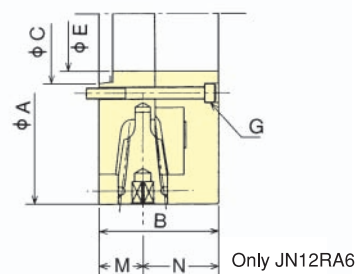


Fig. 2



Only JN12RA6

Dimensions

| Type | Size | A | B | C | D | E | F | G | H | J | K | L | M | N | P |
|---------|------|------|---------|-------|----|----|-------|-----|----|----|-----|------|------|------|---|
| JN06RA5 | 165 | 65.5 | 82.563 | 61.9 | 40 | 10 | 3-M10 | 68 | 26 | 39 | 6° | 24 | 41 | 16 | |
| JN07RA5 | 190 | 75 | 82.563 | 61.9 | 40 | 11 | 3-M10 | 80 | 28 | 42 | 5° | 27.5 | 47.5 | 16.5 | |
| JN08RA6 | 210 | 75 | 106.375 | 82.6 | 59 | 11 | 3-M12 | 80 | 28 | 42 | 6° | 29 | 46 | 15.5 | |
| JN09RA6 | 232 | 84 | 106.375 | 82.6 | 59 | 12 | 3-M12 | 90 | 32 | 50 | 6° | 29.5 | 54.5 | 16.5 | |
| JN10RA6 | 273 | 86 | 106.375 | 82.6 | 59 | 12 | 3-M12 | 100 | 35 | 54 | 0° | 31.5 | 54.5 | 14.5 | |
| JN10RA8 | 273 | 86 | 139.719 | 111.1 | 78 | 12 | 3-M16 | 100 | 35 | 54 | 15° | 31.5 | 54.5 | 18.5 | |
| JN12RA6 | 310 | 96 | 106.375 | 133.4 | 96 | 14 | 3-M12 | 115 | 40 | 56 | 0° | 31.5 | 64.5 | 18.5 | |
| JN12RA8 | 310 | 96 | 139.719 | 111.1 | 78 | 14 | 3-M16 | 115 | 40 | 56 | 0° | 31.5 | 64.5 | 23.5 | |

Specifications

| Type | Spec. | Thru-Hole mm | Max. static gripping force kN(kgf) | Max. speed min ⁻¹ (r.p.m) | Weight kg | Moment of inertia kg·m ² | Gripping range | | Matching hard jaw | Handle torque N·m(kgf·m) |
|---------|-------|-----------------|--|---|--------------|--|----------------|----------------|----------------------|-----------------------------|
| | | | | | | | Outer dia. φmm | Inner dia. φmm | | |
| JN06RA5 | | 40 | 31.0(3161) | 4000 | 9.3 | 0.035 | 3~160 | 55~150 | HBS06C | 88.3(9.0) |
| JN07RA5 | | 40 | 31.0(3161) | 3500 | 13.4 | 0.068 | 4~180 | 62~170 | HBS07C | 107.9(11.0) |
| JN08RA6 | | 59 | 31.0(3161) | 3200 | 18.0 | 0.103 | 4~200 | 62~190 | HBS07C | 107.9(11.0) |
| JN09RA6 | | 59 | 37.0(3773) | 2900 | 23.5 | 0.170 | 5~220 | 70~210 | HBS09C | 147.0(15.0) |
| JN10RA6 | | 59 | 46.0(4691) | 2500 | 30.5 | 0.275 | 5~260 | 80~250 | HBS10C | 176.5(18.0) |
| JN10RA8 | | 78 | 46.0(4691) | 2500 | 31.0 | 0.280 | 5~260 | 80~250 | HBS10C | 176.5(18.0) |
| JN12RA6 | | 96 | 55.0(5608) | 2200 | 44.0 | 0.595 | 10~300 | 90~290 | HBS12C | 206.0(21.0) |
| JN12RA8 | | 78 | 55.0(5608) | 2200 | 45.0 | 0.608 | 10~300 | 90~290 | HBS12C | 206.0(21.0) |